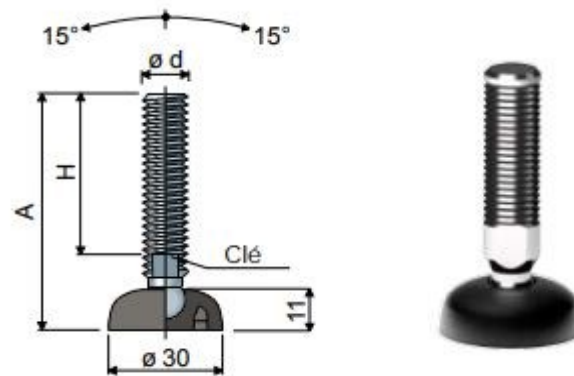


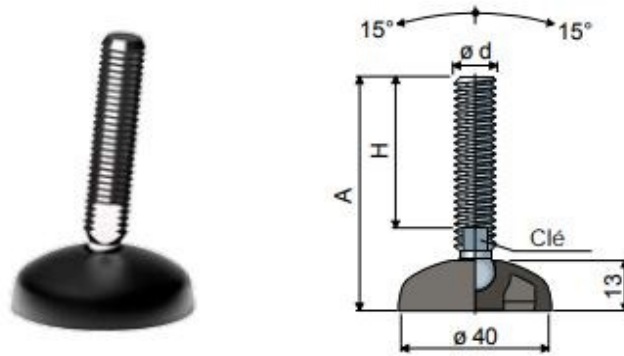
PIEDS ARTICULES A TIGE ACIER FILETEE ZINGUE OU INOX BASE EN POLYAMIDE RENFORCE D.30



DIAMETRE TIGE	A	H	CLE	REF.ZINGUE	REF.INOX 304	CHARGE STAT.MAX (N)
M8	65	45	6	PA187/84270	PA187/8421	9000
M8	85	65	6	PA187/84272	PA187/84273	9000
M10	57	35	8	PA187/84274	PA187/84275	10000
M10	92	70	8	PA187/84276	PA187/84277	10000
M10	137	115	8	PA187/84278	PA187/84279	10000
M12	67	43	10	PA187/84280	PA187/84281	11000
M12	87	63	10	PA187/84282	PA187/84283	11000
M12	102	87	10	PA187/84284	PA187/84285	11000
M12	117	93	10	PA187/84286	PA187/84287	11000
M12	147	123	10	PA187/84288	PA187/84289	11000

Option : patin antiglisse en caoutchouc thermoplastique shore 68 noir, épaisseur 2.5 mm

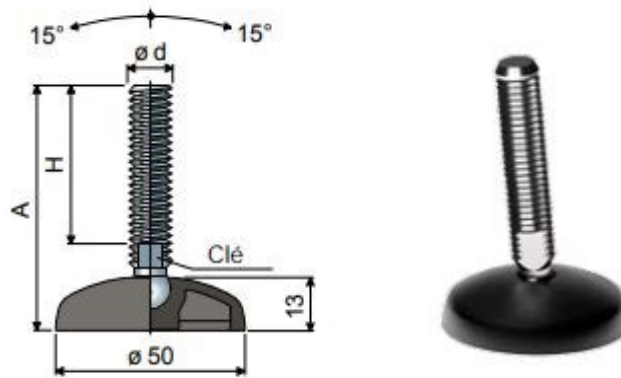
PIEDS ARTICULES A TIGE ACIER FILETEE ZINGUE OU INOX BASE EN POLYAMIDE RENFORCE D.40



DIAMETRE TIGE	A	H	CLE	REF.ZINGUE	REF.INOX 304	CHARGE STAT.MAX (N)
M8	68	45	6	PA188/7390	PA188/7391	10000
M8	88	65	6	PA188/7392	PA188/7393	10000
M8	130	107	6	PA188/7894	PA188/7895	10000
M10	60	35	8	PA188/7000	PA188/7001	11000
M10	95	70	8	PA188/7002	PA188/7003	11000
M10	140	115	8	PA188/7004	PA188/7005	11000
M12	70	43	10	PA188/7006	PA188/7007	12000
M12	90	63	10	PA188/7008	PA188/7009	12000
M12	115	77	10	PA188/7394	PA188/7395	12000
M12	120	93	10	PA188/7010	PA188/7011	12000
M12	150	123	10	PA188/7012	PA188/7013	12000
M14	90	61	12	PA188/7014	PA188/7015	13000
M14	120	91	12	PA188/7016	PA188/7017	13000
M14	145	116	12	PA188/7690	PA188/7691	13000

Option : patin antiglisse en caoutchouc thermoplastique shore 68 noir, épaisseur 2.5 mm

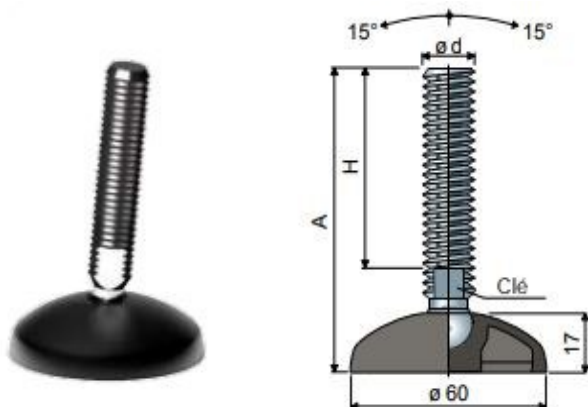
PIEDS ARTICULES A TIGE ACIER FILETEE ZINGUE OU INOX BASE EN POLYAMIDE RENFORCE D.50



DIAMETRE TIGE	A	H	CLE	REF.ZINGUE	REF.INOX 304	CHARGE STAT.MAX (N)
M8	68	45	6	PA189/7396	PA189/7397	11000
M8	88	65	6	PA189/7398	PA189/7399	11000
M8	130	107	6	PA189/7896	PA189/7897	11000
M10	60	35	8	PA189/7018	PA189/7019	12000
M10	95	70	8	PA189/7020	PA189/7021	12000
M10	140	115	8	PA189/7022	PA189/7023	12000
M12	70	43	10	PA189/7024	PA189/7025	13000
M12	90	63	10	PA189/7026	PA189/7027	13000
M12	105	77	10	PA189/7400	PA189/7401	13000
M12	120	93	10	PA189/7028	PA189/7029	13000
M12	150	123	10	PA189/7030	PA189/7031	13000
M14	90	61	12	PA189/7032	PA189/7033	14000
M14	120	91	12	PA189/7034	PA189/7035	14000
M14	145	116	12	PA189/7886	PA189/7887	14000

Option : patin antiglisse en caoutchouc thermoplastique shore 68 noir, épaisseur 2.5 mm

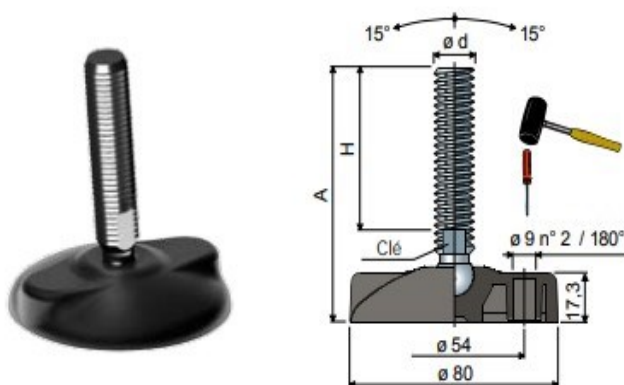
PIEDS ARTICULES A TIGE ACIER FILETEE ZINGUE OU INOX BASE EN POLYAMIDE RENFORCE D.60



DIAMETRE TIGE	A	H	CLE	REF.ZINGUE	REF.INOX 304	CHARGE STAT.MAX (N)
M8	72	45	6	PA190/7402	PA190/7403	12000
M8	92	65	6	PA190/7404	PA190/7405	12000
M8	134	107	6	PA190/7898	PA190/7899	12000
M10	64	35	8	PA190/7036	PA190/7037	13000
M10	99	70	8	PA190/7038	PA190/7039	13000
M10	144	115	8	PA190/7040	PA190/7041	13000
M12	74	43	10	PA190/7042	PA190/7043	14000
M12	94	63	10	PA190/7044	PA190/7045	14000
M12	109	77	10	PA190/7406	PA190/7407	14000
M12	124	93	10	PA190/7046	PA190/7047	14000
M12	154	123	10	PA190/7048	PA190/7049	14000
M14	94	61	12	PA190/7050	PA190/7051	15000
M14	124	91	12	PA190/7052	PA190/7053	15000
M14	149	116	12	PA190/7888	PA190/7889	15000
M16	95	60	13	PA190/7054	PA190/7055	17000
M16	125	90	13	PA190/7408	PA190/7409	17000
M16	140	105	13	PA190/7056	PA190/7057	17000
M16	160	125	13	PA190/7058	PA190/7059	17000
M16	190	155	13	PA190/7410	PA190/7411	17000
M16	200	165	13	PA190/7060	PA190/7061	17000
M16	240	205	13	PA190/83156	PA190/83157	17000
M20	125	86	17	PA190/7062	PA190/7063	19000
M20	155	116	17	PA190/7064	PA190/7065	19000
M20	180	141	17	PA190/7066	PA190/7067	19000
M20	245	206	17	PA/1907068	PA190/7069	19000

Option : patin antiglisse en caoutchouc thermoplastique shore 68 noir, épaisseur 3 mm

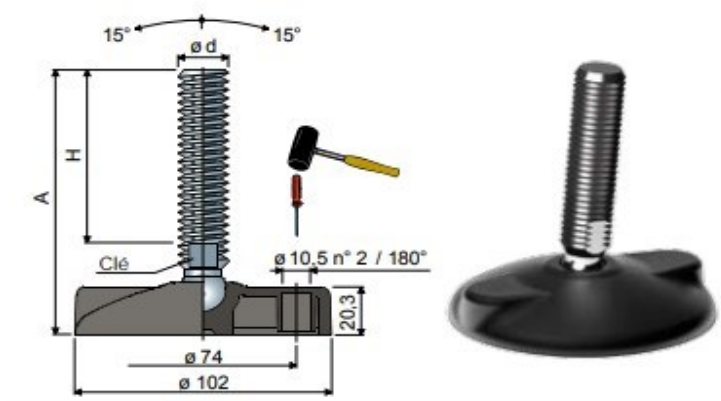
PIEDS ARTICULES A TIGE ACIER FILETEE ZINGUE OU INOX BASE EN POLYAMIDE RENFORCE D.80



DIAMETRE TIGE	A	H	CLE	REF.ZINGUE	REF.INOX 304	CHARGE STAT.MAX (N)
M8	74	45	6	PA192/7456	PA192/7457	12000
M8	94	65	6	PA192/7458	PA192/7459	12000
M8	136	107	6	PA192/7902	PA192/7903	12000
M10	66	35	8	PA192/7070	PA192/7077	14000
M10	101	70	8	PA192/7072	PA192/7073	14000
M10	146	115	8	PA192/7074	PA192/7075	14000
M12	76	43	10	PA192/7076	PA192/7077	15000
M12	96	63	10	PA192/7078	PA192/7079	15000
M12	111	77	10	PA192/7460	PA192/7461	15000
M12	126	93	10	PA192/7080	PA192/7081	15000
M12	156	123	10	PA192/7082	PA192/7083	15000
M14	96	61	12	PA192/7084	PA192/7085	16000
M14	126	91	12	PA192/7086	PA192/7087	16000
M14	151	116	12	PA192/7892	PA192/7893	16000
M16	97	60	13	PA192/7088	PA192/7089	19000
M16	127	90	13	PA192/7462	PA192/7463	19000
M16	142	105	13	PA192/7090	PA192/7091	19000
M16	162	125	13	PA192/7092	PA192/7093	19000
M16	192	155	13	PA192/7464	PA192/7465	19000
M16	202	165	13	PA192/7094	PA192/7095	19000
M16	242	205	13	PA192/83160	PA192/83161	19000

Option : patin antiglisse en caoutchouc thermoplastique shore 68 noir, épaisseur 3 mm

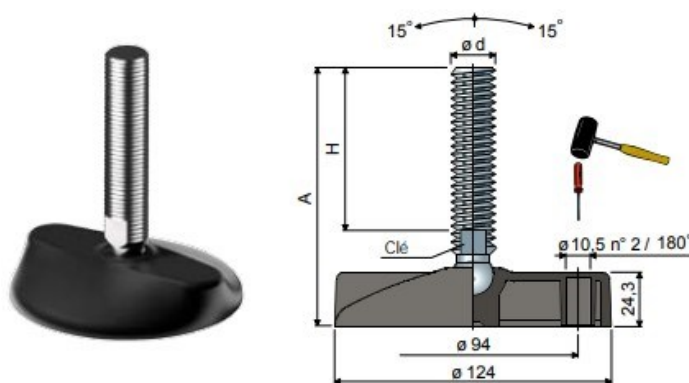
PIEDS ARTICULES A TIGE ACIER FILETEE ZINGUE OU INOX BASE EN POLYAMIDE RENFORCE D.102



DIAMETRE TIGE	A	H	CLE	REF.ZINGUE	REF.INOX 304	CHARGE STAT.MAX (N)
M12	79	43	10	PA193/83166	PA193/83167	15000
M12	99	63	10	PA192/83168	PA193/83169	15000
M12	114	78	10	PA193/83170	PA193/83171	15000
M12	129	93	10	PA193/83172	PA193/83173	15000
M12	159	123	10	PA193/83174	PA193/83175	15000
M14	99	61	12	PA193/83176	PA193/83177	18000
M14	129	91	12	PA193/83178	PA193/83179	18000
M14	154	116	12	PA193/83180	PA193/83181	18000
M16	100	60	13	PA193/7110	PA193/7111	22000
M16	130	90	13	PA193/7474	PA193/7475	22000
M16	145	105	13	PA193/7112	PA193/7113	22000
M16	165	125	13	PA193/7114	PA193/7115	22000
M16	195	155	13	PA193/7476	PA193/7477	22000
M16	205	165	13	PA193/7116	PA193/7117	22000
M16	245	205	13	PA193/83182	PA193/83183	22000
M20	130	86	17	PA193/7118	PA193/7119	24000
M20	160	116	17	PA193/7120	PA193/7121	24000
M20	185	141	17	PA193/7122	PA193/7123	24000
M20	250	206	17	PA193/7124	PA193/7125	24000
M24	140	96	19	PA193/7478	PA193/7479	26000
M24	166	122	19	PA193/7126	PA193/7127	26000
M24	196	152	19	PA193/7128	PA193/7129	26000
M24	226	182	19	PA193/7130	PA193/7131	26000
M24	344	300	19	PA193/7484	PA193/7485	26000

Option : patin antiglisse en caoutchouc thermoplastique shore 68 noir, épaisseur 3 mm

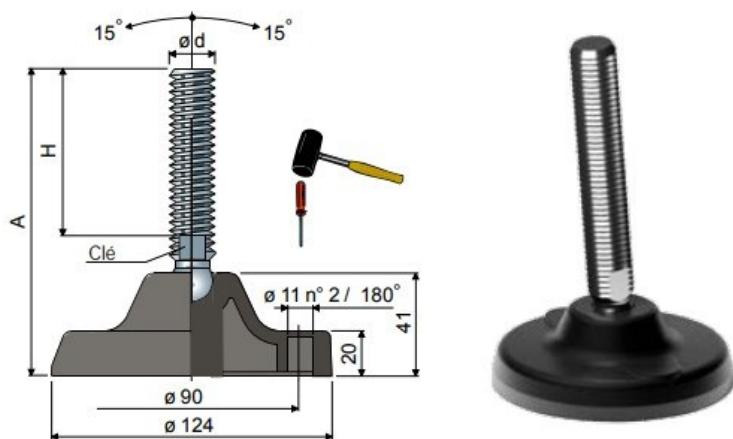
PIEDS ARTICULES A TIGE ACIER FILETEE ZINGUE OU INOX BASE EN POLYAMIDE RENFORCE D.124



DIAMETRE TIGE	A	H	CLE	REF.ZINGUE	REF.INOX 304	CHARGE STAT.MAX (N)
M14	103	61	12	PA194/83184	PA194/83185	18000
M14	133	91	12	PA194/83186	PA194/83187	18000
M14	158	116	12	PA194/83188	PA194/83189	18000
M16	104	60	13	PA194/7132	PA194/7133	25000
M16	134	90	13	PA194/7486	PA194/7487	25000
M16	149	105	13	PA194/7134	PA194/7135	25000
M16	169	125	13	PA194/7136	PA194/7137	25000
M16	199	155	13	PA194/7488	PA194/7489	25000
M16	209	165	13	PA194/7138	PA194/7139	25000
M16	249	205	13	PA194/83162	PA194/83163	25000
M20	134	86	17	PA194/7140	PA194/7141	27000
M20	164	116	17	PA194/7142	PA194/7143	27000
M20	189	141	17	PA194/7144	PA194/7145	27000
M20	254	206	17	PA194/7146	PA194/7147	27000
M24	144	96	19	PA194/7490	PA194/7491	29000
M24	170	122	19	PA194/7148	PA194/7149	29000
M24	300	152	19	PA194/7150	PA194/7151	29000
M24	230	182	19	PA194/7496	PA194/7497	29000
M24	348	300	19	PA194/7496	PA194/7497	29000

Option : patin antiglisse en caoutchouc thermoplastique shore 68 noir, épaisseur 3 mm

PIEDS ARTICULES A TIGE ACIER FILETEE ZINGUE OU INOX BASE EN POLYAMIDE RENFORCE D.124



DIAMETRE TIGE	A	H	CLE	REF.ZINGUE	REF.INOX 304	CHARGE STAT.MAX (N)
M16	124	60	13	PA195/7782	PA195/7783	25000
M16	154	90	13	PA195/7784	PA195/7785	25000
M16	165	105	13	PA195/7786	PA195/7787	25000
M16	189	125	13	PA195/7788	PA195/7789	25000
M16	219	155	13	PA195/7790	PA195/7791	25000
M16	229	165	13	PA195/7792	PA195/7793	25000
M16	265	205	13	PA195/83164	PA195/83165	25000
M20	153	86	17	PA195/7794	PA195/7795	27000
M20	183	116	17	PA195/7796	PA195/7797	27000
M20	208	141	17	PA195/7798	PA195/7799	27000
M20	273	206	17	PA195/7800	PA195/7801	27000
M24	159	96	19	PA195/80702	PA195/80703	29000
M24	185	122	19	PA195/80704	PA195/80705	29000
M24	215	152	19	PA195/80706	PA195/80707	29000
M24	245	182	19	PA195/80708	PA195/80709	29000
M24	363	300	19	PA195/80710	PA195/80711	29000

Option : patin antiglisse en caoutchouc thermoplastique shore 68 noir, épaisseur 3 mm