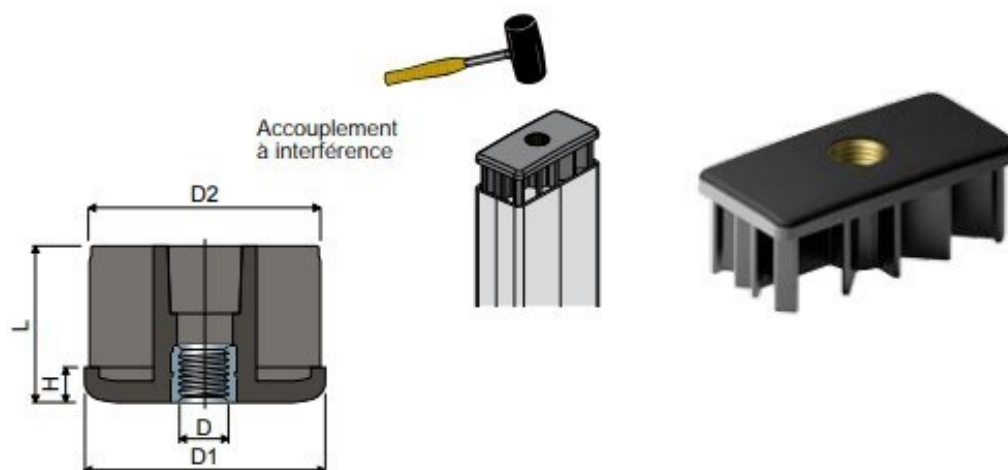


Embout en polyamide renforcé avec insert fileté en laiton pour tubes rectangulaires



DIMENSION TUBE EXTERNE	EPAISSEUR mm	DIMENSION TUBE INTERIEUR	D mm	D1 mm	D2 mm	H mm	L mm	CHARGE STATIQUE (N)	REFERENCE
20x50	2	16x46	M8	20X50	16X46	5	38	4500	RTF221/20X50M8
30X60	2.5	25X55	M8	30X60	25X55	8	38	4500	RTF221/30X60M8
30X60	2.5	25X55	M10	30X60	25X55	8	38	5000	RTF221/30X60M10
30X60	2.5	25X55	M12	30X60	25X55	8	38	5500	RTF221/30X60M12
30X60	2.5	25X55	M14	30X60	25X55	8	38	6000	RTF221/30X60M14
30X60	2.5	25X55	M16	30X60	25X55	8	38	6500	RTF221/30X60M16
40X60	2	36X56	M14	40X60	36X56	10	45	8500	RTF221/40X60M14
40X60	2	36X56	M16	40X60	36X56	10	45	9000	RTF221/40X60M16
40X60	2	35X56	M20	40X60	36X56	10	45	9500	RTF221/40X60M20
40X80	2	36X76	M14	40X80	36X76	10	45	8500	RTF221/40X80M14/2
40x80	2	36x76	M16	40x80	36x76	10	45	9000	RTF221/40X80M16/2
40X80	2	36X76	M20	40X80	36X76	10	45	9500	RTF221/40X80M20/2
40X80	3	36X76	M14	40X80	36X76	10	45	8500	RTF221/40X80M14/3
40X80	3	36X76	M16	40X80	36X76	10	45	9000	RTF221/40X80M16/3
40X80	3	36X76	M20	40X80	36X76	10	45	9500	RTF221/40X80M20/3
50X100	2	46X96	M14	50X100	46X96	10	45	8500	RTF221/50X100M14/2
50X100	2	46X96	M16	50X100	46X96	10	45	9000	RTF221/50X100M16/2
50X100	2	46X96	M20	50X100	46X96	10	45	9500	RTF221/50X100M20/2
50X100	3	44X94	M14	50X100	44X94	10	45	8500	RTF221/50X100M14/3
50X100	3	44X94	M16	50X100	44X94	10	45	9000	RTF221/50X100M16/3
50X100	3	44X94	M20	50X100	44X94	10	45	9500	RTF221/50X100M20/3
50X150	3	44X144	M14	50X150	44X144	10	45	9000	RTF221/50X150M14
50X150	3	44X144	M16	50X150	44X144	10	45	9500	RTF221/50X150M16
50X150	3	44X144	M20	50X150	44X144	10	45	10000	RTF221/50X150M20
60X120	3	54X114	M14	60X120	54X114	10	45	9000	RTF221/60X120M14
60X120	3	54X114	M16	60X120	54X114	10	45	9500	RTF221/60X120M16
60X120	3	54X114	M20	60X120	54X114	10	45	10000	RTF221/60X120M20

Embout en polyamide renforcé avec insert fileté en laiton pour tubes ronds



DIMENSION TUBE EXTERNE	EPAISSEUR mm	DIMENSION TUBE INTERIEUR	D mm	D1 mm	D2 mm	H mm	L mm	CHARGE STATIQUE (N)	REFERENCE
20	2	16	M8	20	16	5	23	4500	RDF222/20
25	2	21	M8	25	21	5	25	4500	RDF222/25M8
25	2	21	M10	25	21	5	26	5000	RDF222/25M10
25	2	21	M12	25	21	5	26	5500	RDF222/25M12
30	1	28	M8	30	28	6	31	4500	RDF222/30M8/1
30	1	28	M10	30	28	6	31	5000	RDF222/30M10/1
30	1	28	M12	30	28	6	31	5500	RDF222/30M12/1
30	1	28	M14	30	28	6	31	6000	RDF222/30M14/1
30	1	28	M16	30	28	6	31	6500	RDF222/30M16/1
30	1.5	27	M8	30	27	6	31	4500	RDF222/30M8/1.5
30	1.5	27	M10	30	27	6	31	5000	RDF222/30M10/1.5
30	1.5	27	M12	30	27	6	31	5500	RDF222/30M12/1.5
30	1.5	27	M14	30	37	6	31	6000	RDF222/30M14/1.5
30	1.5	27	M16	30	27	6	31	6500	RDF222/30M16/1.5
30	2	26	M8	30	26	6	31	4500	RDF222/30M8/2
30	2	26	M10	30	26	6	31	5000	RDF222/30M10/2
30	2	26	M12	30	26	6	31	5500	RDF222/30M12/2
30	2	26	M14	30	26	6	31	6000	RDF222/30M14/2
30	2.5	25	M8	30	25	6	31	4500	RDF222/30M8/2.5
30	2.5	25	M10	30	25	6	31	5000	RDF222/30M10/2.5
30	2.5	25	M12	30	25	6	31	5500	RDF222/30M12/2.5
30	2.5	25	M14	30	25	6	31	6000	RDF222/30M14/2.5
30	2.5	25	M16	30	25	6	31	6500	RDF222/30M16/2.5
32	2	28	M8	32	28	6	31	4500	RDF222/32M8
32	2	28	M10	32	28	6	31	5000	RDF222/32M10
32	2	28	M12	32	28	6	31	5500	RDF222/32M12
35	2	31	M8	35	31	6	31	4500	RDF222/35M8
35	2	31	M10	35	31	6	31	5500	RDF222/35M10
35	2	31	M12	35	31	6	31	6000	RDF222/35M12

Embout en polyamide renforcé avec insert fileté en laiton pour tubes ronds



DIMENSION TUBE EXTERNE	EPAISSEUR mm	DIMENSION TUBE INTERIEUR	D mm	D1 mm	D2 mm	H mm	L mm	CHARGE STATIQUE (N)	REFERENCE
38	1.5	35	M8	38	35	8	38	4500	RDF222/38M8/1.5
38	1.5	35	M10	38	35	8	38	5000	RDF222/38M10/1.5
38	1.5	35	M12	38	35	8	38	5500	RDF222/38M12/1.5
38	1.5	35	M14	38	35	8	38	6000	RDF222/38M14/1.5
38	1.5	35	M16	38	35	8	38	6500	RDF222/38M16/1.5
38	2	34	M8	38	34	8	38	4500	RDF222/38M8/2
38	2	34	M10	38	34	8	38	5000	RDF222/38M10/2
38	2	34	M12	38	34	8	38	5500	RDF222/38M12/2
38	2	34	M14	38	34	8	38	6000	RDF222/38M14/2
38	2	34	M16	38	34	8	38	6500	RDF222/38M16/2
38	2.5	33	M8	38	34	8	38	4500	RDF222/38M8/2.5
38	2.5	33	M10	38	34	8	38	5000	RDF222/38M10/2.5
38	2.5	33	M12	38	34	8	38	5500	RDF222/38M12/2.5
38	2.5	33	M14	38	34	8	38	6000	RDF222/38M14/2.5
38	2.5	33	M16	38	34	8	38	6500	RDF222/38M16/2.5
40	3	34	M8	40	34	8	38	4500	RDF222/40M8
40	3	34	M10	40	34	8	38	5000	RDF222/40M10
40	3	34	M12	40	34	8	38	5500	RDF222/40M12
42	3	36	M8	42	36	8	38	5000	RDF222/42M8
42	3	36	M10	42	36	8	38	5000	RDF222/42M10
42	3	36	M12	42	36	8	38	5500	RDF222/42M12
42.4	1.5	39.4	M8	42.4	39.4	8	38	6500	RDF222/42.4M8/1.5
42.4	1.5	39.4	M10	42.4	39.4	8	38	7000	RDF222/42.4M10/1.5
42.4	1.5	39.4	M12	42.4	39.4	8	38	7500	RDF222/42.4M12/1.5
42.4	1.5	39.4	M14	42.4	39.4	8	38	8000	RDF222/42.4M14/1.5
42.4	1.5	39.4	M16	42.4	39.4	8	38	8500	RDF222/42.4M16/1.5
42.4	1.5	39.4	M20	42.4	39.4	8	38	9000	RDF222/42.4M20/1.5

Embout en polyamide renforcé avec insert fileté en laiton pour tubes ronds



DIMENSION TUBE EXTERNE	EPAISSEUR mm	DIMENSION TUBE INTERIEUR	D mm	D1 mm	D2 mm	H mm	L mm	CHARGE STATIQUE (N)	REFERENCE
42.4	2	38.4	M8	42.4	38.4	8	38	6500	RDF222/42.4M8/2
42.4	2	38.4	M10	42.4	38.4	8	38	7000	RDF222/42.4M10/2
42.4	2	38.4	M12	42.4	38.4	8	38	7500	RDF222/42.4M12/2
42.4	2	38.4	M14	42.4	38.4	8	38	8000	RDF222/42.4M14/2
42.4	2	38.4	M16	42.4	38.4	8	38	8500	RDF222/42.4M16/2
42.4	2	38.4	M20	42.4	38.4	8	38	9000	RDF222/42.4M20/2
42.4	2.5	37.4	M8	42.4	37.4	8	38	6500	RDF222/42.4M8/2.5
42.4	2.5	37.4	M10	42.4	37.4	8	38	7000	RDF222/42.4M10/2.5
42.4	2.5	37.4	M12	42.4	37.4	8	38	7500	RDF222/42.4M12/2.5
42.4	2.5	37.4	M14	42.4	37.4	8	38	8000	RDF222/42.4M14/2.5
42.4	2.5	37.4	M16	42.4	37.4	8	38	8500	RDF222/42.4M16/2.5
42.4	2.5	37.4	M20	42.4	37.4	8	38	9000	RDF222/42.4M20/2.5
45	3	39	M8	45	39	8	38	6500	RDF222/45M8
45	3	39	M10	45	39	8	38	7000	RDF222/45M10
45	3	39	M12	45	39	8	38	7500	RDF222/45M12
45	3	39	M14	45	39	8	38	8000	RDF222/45M14
45	3	39	M16	45	39	8	38	8500	RDF222/45M16
48	3	42	M8	48	42	10	45	7000	RDF223/48M8
48	3	42	M10	48	42	10	45	7500	RDF223/48M10
48	3	42	M12	48	42	10	45	8000	RDF223/48M12
48	3	42	M14	48	42	10	45	8500	RDF223/48M14
48	3	42	M16	48	42	10	45	9000	RDF223/48M16
48.3	1.5	45.3	M8	48.3	45.3	10	45	7000	RDF223/48.3M8/1.5
48.3	1.5	45.3	M10	48.3	45.3	10	45	7500	RDF223/48.3M10/1.5
48.3	1.5	45.3	M12	48.3	45.3	10	45	8000	RDF223/48.3M12/1.5
48.3	1.5	45.3	M14	48.3	45.3	10	45	8500	RDF223/48.3M14/1.5
48.3	1.5	45.3	M16	48.3	45.3	10	45	9000	RDF223/48.3M16/1.5
48.3	1.5	45.3	M20	48.3	45.3	10	45	9500	RDF223/48.3M20/1.5

Embout en polyamide renforcé avec insert fileté en laiton pour tubes ronds



DIMENSION TUBE EXTERNE	EPAISSEUR mm	DIMENSION TUBE INTERIEUR	D mm	D1 mm	D2 mm	H mm	L mm	CHARGE STATIQUE (N)	REFERENCE
48.3	1.5	45.3	M8	48.3	45.3	10	45	7000	RDF223/48.3M8/1.5
48.3	1.5	45.3	M10	48.3	45.3	10	45	7500	RDF223/48.3M10/1.5
48.3	1.5	45.3	M12	48.3	45.3	10	45	8000	RDF223/48.3M12/1.5
48.3	1.5	45.3	M14	48.3	45.3	10	45	8500	RDF223/48.3M14/1.5
48.3	1.5	45.3	M16	48.3	45.3	10	45	9000	RDF223/48.3M16/1.5
48.3	1.5	45.3	M20	48.3	45.3	10	45	9500	RDF223/48.3M20/1.5
48.3	2	44.3	M8	48.3	44.3	10	45	7000	RDF223/48.3M8/2
48.3	2	44.3	M10	48.3	44.3	10	45	7500	RDF223/48.3M10/2
48.3	2	44.3	M12	48.3	44.3	10	45	8000	RDF223/48.3M12/2
48.3	2	44.3	M14	48.3	44.3	10	45	8500	RDF223/48.3M14/2
48.3	2	44.3	M16	48.3	44.3	10	45	9000	RDF223/48.3M16/2
48.3	2	44.3	M20	48.3	44.3	10	45	9500	RDF223/48.3M20/2
48.3	2.5	43.3	M8	48.3	43.3	10	45	7000	RDF223/48.3M8/2.5
48.3	2.5	43.3	M10	48.3	43.3	10	45	7500	RDF223/48.3M10/2.5
48.3	2.5	43.3	M12	48.3	43.3	10	45	8000	RDF223/48.5M12/2.5
48.3	2.5	43.3	M14	48.3	43.3	10	45	8500	RDF223/48.5M14/2.5
48.3	2.5	43.3	M16	48.3	43.3	10	45	9000	RDF223/48.3M16/2.5
48.3	2.5	43.3	M20	48.3	43.3	10	45	9500	RDF223/48.3M20/2.5
50	1.5	47	M8	50	47	10	45	7000	RDF223/50M8/1.5
50	1.5	47	M10	50	47	10	45	7500	RDF223/50M10/1.5
50	1.5	47	M12	50	47	10	45	8000	RDF223/50M12/1.5
50	1.5	47	M14	50	47	10	45	8500	RDF223/50M14/1.5
50	1.5	47	M16	50	47	10	45	9000	RDF223/50M16/1.5
50	1.5	47	M20	50	47	10	45	9500	RDF223/50M20/1.5
50	3	44	M8	50	44	10	45	7000	RDF223/50M8/3
50	3	44	M10	50	44	10	45	7500	RDF223/50M10/3
50	3	44	M12	50	44	10	45	8000	RDF223/50M12/3
50	3	44	M14	50	44	10	45	8500	RDF223/50M14/3

Embout en polyamide renforcé avec insert fileté en laiton pour tubes ronds



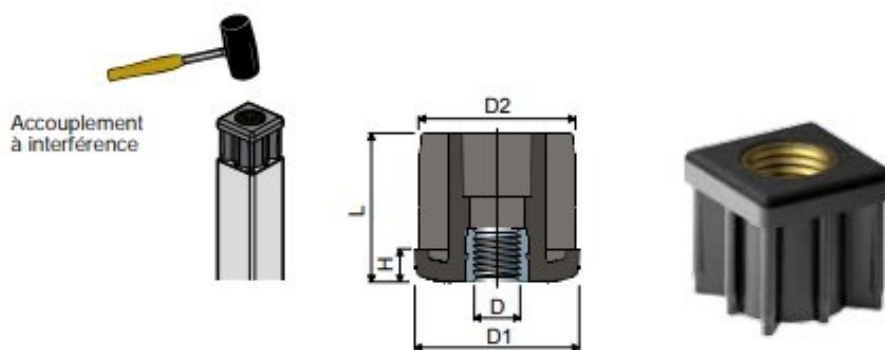
DIMENSION TUBE EXTERNE	EPAISSEUR mm	DIMENSION TUBE INTERIEUR	D mm	D1 mm	D2 mm	H mm	L mm	CHARGE STATIQUE (N)	REFERENCE
50	3	44	M16	50	44	10	45	9000	RDF223/50M16/3
50	3	44	M20	50	44	10	45	9500	RDF223/50M20/3
50.9	1.5	47.9	M8	50.9	47.9	10	45	7000	RDF223/50.9M8/1.5
50.9	1.5	47.9	M10	50.9	47.9	10	45	7500	RDF223/50.9M10/1.5
50.9	1.5	47.9	M12	50.9	47.9	10	45	8000	RDF223/50.9M12/1.5
50.9	1.5	47.9	M14	50.9	47.9	10	45	8500	RDF223/50.9M14/1.5
50.9	1.5	47.9	M16	50.9	47.9	10	45	9000	RDF223/50.9M16/1.5
50.9	1.5	47.9	M20	50.9	47.9	10	45	9500	RDF223/50.9M20/1.5
50.9	2	46.9	M8	50.9	46.9	10	45	7000	RDF223/50.9M8/2
50.9	2	46.9	M10	50.9	46.9	10	45	7500	RDF223/50.9M10/2
50.9	2	46.9	M12	50.9	46.9	10	45	8000	RDF223/50.9M12/2
50.9	2	46.9	M14	50.9	46.9	10	45	8500	RDF223/50.9M14/2
50.9	2	46.9	M16	50.9	46.9	10	45	9000	RDF223/50.9M16/2
50.9	2	46.9	M20	50.9	46.9	10	45	9500	RDF223/50.9M20/2
50.9	2.5	45.9	M8	50.9	45.9	10	45	7000	RDF223/50.9M8/2.5
50.9	2.5	45.9	M10	50.9	45.9	10	45	7500	RDF223/50.9M10/2.5
50.9	2.5	45.9	M12	50.9	45.9	10	45	8000	RDF223/50.9M12/2.5
50.9	2.5	45.9	M14	50.9	45.9	10	45	8500	RDF223/50.9M14/2.5
50.9	2.5	45.9	M16	50.9	45.9	10	45	9000	RDF223/50.9M16/2.5
50.9	2.5	45.9	M20	50.9	45.9	10	45	9500	RDF223/50.9M20/2.5
60.3	1.5	57.3	M8	60.3	57.3	12	52	7000	RDF223/60.3M8/1.5
60.3	1.5	57.3	M10	60.3	57.3	12	52	7500	RDF223/60.3M10/1.5
60.3	1.5	57.3	M12	60.3	57.3	12	52	8000	RDF223/60.3M12/1.5
60.3	1.5	57.3	M14	60.3	57.3	12	52	8500	RDF223/60.3M14/1.5
60.3	1.5	57.3	M16	60.3	57.3	12	52	9000	RDF223/60.3M16/1.5
60.3	1.5	57.3	M20	60.3	57.3	12	52	9500	RDF223/60.3M20/1.5
60.3	1.5	57.3	M24	60.3	57.3	12	52	10000	RDF223/60.3M24/1.5

Embout en polyamide renforcé avec insert fileté en laiton pour tubes ronds



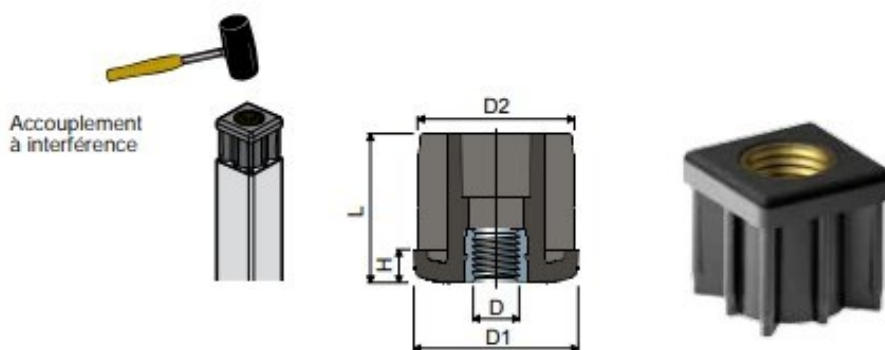
DIMENSION TUBE EXTERNE	EPAISSEUR mm	DIMENSION TUBE INTERIEUR	D mm	D1 mm	D2 mm	H mm	L mm	CHARGE STATIQUE (N)	REFERENCE
60.3	2	56.3	M8	60.3	56.3	12	52	7000	RDF223/60.3M8/2
60.3	2	56.3	M10	60.3	56.3	12	52	7500	RDF223/60.3M10/2
60.3	2	56.3	M12	60.3	56.3	12	52	8000	RDF223/60.3M12/2
60.3	2	56.3	M14	60.3	56.3	12	52	8500	RDF223/60.3M14/2
60.3	2	56.3	M16	60.3	56.3	12	52	9000	RDF223/60.3M16/2
60.3	2	56.3	M20	60.3	56.3	12	52	9500	RDF223/60.3M20/2
60.3	2	56.3	M24	60.3	56.3	12	52	10000	RDF223/60.3M24/2
60.3	2.5	55.3	M8	60.3	55.3	12	52	7000	RDF223/60.3M8/2.5
60.3	2.5	55.3	M10	60.3	55.3	12	52	7500	RDF223/60.3M10/2.5
60.3	2.5	55.3	M12	60.3	55.3	12	52	8000	RDF223/60.3M12/2.5
60.3	2.5	55.3	M14	60.3	55.3	12	52	8500	RDF223/60.3M14/2.5
60.3	2.5	55.3	M16	60.3	55.3	12	52	9000	RDF223/60.3M16/2.5
60.3	2.5	55.3	M20	60.3	55.3	12	52	9500	RDF223/60.3M20/2.5
60.3	2.5	55.3	M24	60.3	55.3	12	52	10000	RDF223/60.3M24/2.5

Embout en polyamide renforcé avec insert fileté en laiton pour tubes carrés



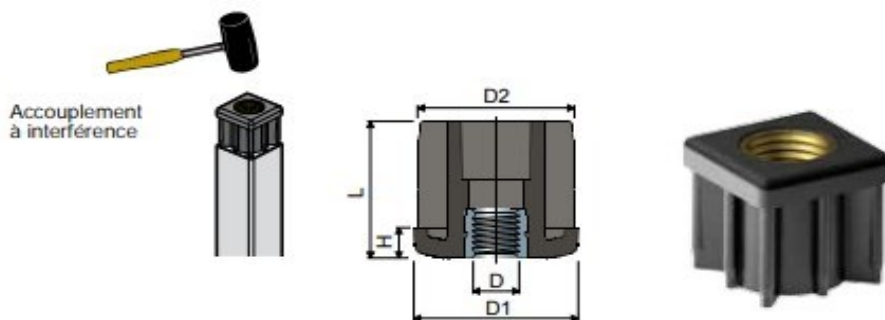
DIMENSION TUBE EXTERNE	EPAISSEUR mm	DIMENSION TUBE INTERIEUR	D mm	D1 mm	D2 mm	H mm	L mm	CHARGE STATIQUE (N)	REFERENCE
20	1.5	17	M8	20	17	5	23	4500	CRF225/20M8/1.5
20	2	16	M8	20	16	5	23	4500	CRF225/20M8/2
25	1.5	22	M8	25	22	6	26	4500	CRF225/25M8/1.5
25	1.5	22	M10	25	22	6	26	5000	CRF225/25M10/1.5
25	1.5	22	M12	25	22	6	26	5500	CRF225/25M12/1.5
25	2	21	M8	25	21	6	26	4500	CRF225/25M8/2
25	2	21	M10	25	21	6	26	5000	CRF225/25M10/2
25	2	21	M12	25	21	6	26	5500	CRF225/25M12/2
30	1.5	27	M8	30	27	6	31	4500	CRF225/30M8/1.5
30	1.5	27	M10	30	27	6	31	5000	CRF225/30M10/1.5
30	1.5	27	M12	30	27	6	31	5500	CRF225/30M12/1.5
30	1.5	27	M14	30	27	6	31	6000	CRF225/30M14/1.5
30	1.5	27	M16	30	27	6	31	6500	CRF225/30M16/1.5
30	2	26	M8	30	26	6	31	4500	CRF225/30M8/2
30	2	26	M10	30	26	6	31	5000	CRF225/30M10/2
30	2	26	M12	30	26	6	31	5500	CRF225/30M12/2
30	2	26	M14	30	26	6	31	6000	CRF225/30M14/2
30	2	26	M16	30	26	6	31	6500	CRF225/30M16/2
35	1.5	32	M8	35	32	8	38	6500	CRF225/35M8/1.5
35	1.5	32	M10	35	32	8	38	7000	CRF225/35M10/1.5
35	1.5	32	M12	35	32	8	38	7500	CRF225/35M12/1.5
35	1.5	32	M14	35	32	8	38	8000	CRF225/35M14/1.5
35	1.5	32	M16	35	32	8	38	8500	CRF225/35M16/1.5
35	1.5	32	M20	35	32	8	38	9000	CRF225/35M20/1.5
35	2	31	M8	35	31	8	38	6500	CRF225/35M8/2
35	2	31	M10	35	31	8	38	6500	CRF225/35M10/2
35	2	31	M12	35	31	8	38	6500	CRF225/35M12/2
35	2	31	M14	35	31	8	38	6500	CRF225/35M14/2
35	2	31	M16	35	31	8	38	6500	CRF225/35M16/2
35	2	31	M20	35	31	8	38	6500	CRF225/35M20/2

Embout en polyamide renforcé avec insert fileté en laiton pour tubes carrés



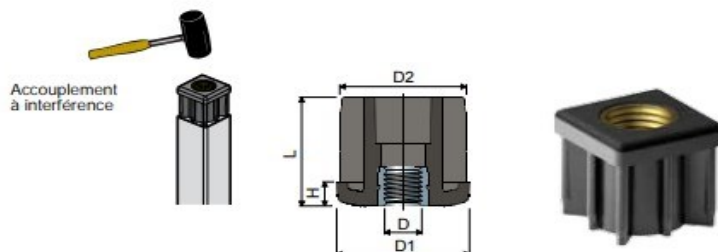
DIMENSION TUBE EXTERNE	EPAISSEUR mm	DIMENSION TUBE INTERIEUR	D mm	D1 mm	D2 mm	H mm	L mm	CHARGE STATIQUE (N)	REFERENCE
40	1.2	37.6	M8	40	37.6	8	38	7000	CRF225/40M8/1.2
40	1.2	37.6	M10	40	37.6	8	38	7500	CRF225/40M10/1.2
40	1.2	37.6	M12	40	37.6	8	38	8000	CRF225/40M12/1.2
40	1.2	37.6	M14	40	37.6	8	38	8500	CRF225/40M14/1.2
40	1.2	37.6	M16	40	37.6	8	38	9000	CRF225/40M16/1.2
40	1.2	37.6	M20	40	37.6	8	38	9500	CRF225/40M20/1.2
40	1.5	37	M8	40	37	8	38	7000	CRF225/40M8/1.5
40	1.5	37	M10	40	37	8	38	7500	CRF225/40M10/1.5
40	1.5	37	M12	40	37	8	38	8000	CRF225/40M12/1.5
40	1.5	37	M14	40	37	8	38	8500	CRF225/40M14/1.5
40	1.5	37	M16	40	37	8	38	9000	CRF225/40M16/1.5
40	1.5	37	M20	40	37	8	38	9500	CRF225/40M20/1.5
40	2	36	M8	40	36	8	38	7000	CRF225/40M8/2
40	2	36	M10	40	36	8	38	7500	CRF225/40M10/2
40	2	36	M12	40	36	8	38	8000	CRF225/40M12/2
40	2	36	M14	40	36	8	38	8500	CRF225/40M14/2
40	2	36	M16	40	36	8	38	9000	CRF225/40M16/2
40	2	36	M20	40	36	8	38	9500	CRF225/40M20/2
40	2.5	35	M8	40	35	8	38	7000	CRF225/40M8/2.5
40	2.5	35	M10	40	35	8	38	7500	CRF225/40M10/2.5
40	2.5	35	M12	40	35	8	38	8000	CRF225/40M12/2.5
40	2.5	35	M14	40	35	8	38	8500	CRF225/40M14/2.5
40	2.5	35	M16	40	35	8	38	9000	CRF225/40M16/2.5
40	2.5	35	M20	40	35	8	38	9500	CRF225/40M20/2.5

Embout en polyamide renforcé avec insert fileté en laiton pour tubes carrés



DIMENSION TUBE EXTERNE	EPAISSEUR mm	DIMENSION TUBE INTERIEUR	D mm	D1 mm	D2 mm	H mm	L mm	CHARGE STATIQUE (N)	REFERENCE
40	3	34	M8	40	34	8	38	7000	CRF226/40M8/3
40	3	34	M10	40	34	8	38	7500	CRF226/40M10/3
40	3	34	M12	40	34	8	38	8000	CRF226/40M12/3
40	3	34	M14	40	34	8	38	8500	CRF226/40M14/3
40	3	34	M16	40	34	8	38	9000	CRF226/40M16/3
40	3	34	M20	40	34	8	38	9500	CRF226/40M20/3
45	2	41	M8	45	41	8	38	7000	CRF226/45M8/2
45	2	41	M10	45	41	8	38	7500	CRF226/45M10/2
45	2	41	M12	45	41	8	38	8000	CRF226/45M12/2
45	2	41	M14	45	41	8	38	8500	CRF226/45M14/2
45	2	41	M16	45	41	8	38	9000	CRF226/45M16/2
45	2	41	M20	45	41	8	38	9500	CRF226/45M20/2
45	3	39	M8	45	39	8	38	7000	CRF226/45M8/3
45	3	39	M10	45	39	8	38	7500	CRF226/45M10/3
45	3	39	M12	45	39	8	38	8000	CRF226/45M12/3
45	3	39	M14	45	39	8	38	8500	CRF226/45M14/3
45	3	39	M16	45	39	8	38	9000	CRF226/45M16/3
45	3	39	M20	45	39	8	38	9500	CRF226/45M20/3
50	1.2	47.6	M8	50	47.6	10	45	7000	CRF226/50M8/1.2
50	1.2	47.6	M10	50	47.6	10	45	7500	CRF226/50M10/1.2
50	1.2	47.6	M12	50	47.6	10	45	8000	CRF226/50M12/1.2
50	1.2	47.6	M14	50	47.6	10	45	8500	CRF226/50M14/1.2
50	1.2	47.6	M16	50	47.6	10	45	9000	CRF226/50M16/1.2
50	1.2	47.6	M20	50	47.6	10	45	9500	CRF226/50M20/1.2
50	1.5	47	M8	50	47	10	45	7000	CRF226/50M8/1.5
50	1.5	47	M10	50	47	10	45	7500	CRF226/50M10/1.5
50	1.5	47	M12	50	47	10	45	8000	CRF226/50M12/1.5
50	1.5	47	M14	50	47	10	45	8500	CRF226/50M14/1.5
50	1.5	47	M16	50	47	10	45	9000	CRF226/50M16/1.5
50	1.5	47	M20	50	47	10	45	9500	CRF226/50M20/1.5

Embout en polyamide renforcé avec insert fileté en laiton pour tubes carrés



RHÔNE
ELASTOMERES

DIMENSION TUBE EXTERNE	EPAISSEUR mm	DIMENSION TUBE INTERIEUR	D mm	D1 mm	D2 mm	H mm	L mm	CHARGE STATIQUE (N)	REFERENCE
50	2	46	M8	50	46	10	45	7000	CRF226/50M8/2
50	2	46	M10	50	46	10	45	7500	CRF226/50M10/2
50	2	46	M12	50	46	10	45	8000	CRF226/50M12/2
50	2	46	M14	50	46	10	45	8500	CRF226/50M14/2
50	2	46	M16	50	46	10	45	9000	CRF226/50M16/2
50	2	46	M20	50	46	10	45	9500	CRF226/50M20/2
50	2.5	45	M8	50	45	10	45	7000	CRF226/50M8/2.5
50	2.5	45	M10	50	45	10	45	7500	CRF226/50M10/2.5
50	2.5	45	M12	50	45	10	45	8000	CRF226/50M12/2.5
50	2.5	45	M14	50	45	10	45	8500	CRF226/50M14/2.5
50	2.5	45	M16	50	45	10	45	9000	CRF226/50M16/2.5
50	2.5	45	M20	50	45	10	45	9500	CRF226/50M20/2.5
50	3	44	M8	50	44	10	45	7000	CRF226/50M8/3
50	3	44	M10	50	44	10	45	7500	CRF226/50M10/3
50	3	44	M12	50	44	10	45	8000	CRF226/50M12/3
50	3	44	M14	50	44	10	45	8500	CRF226/50M14/3
50	3	44	M16	50	44	10	45	9000	CRF226/50M16/3
50	3	44	M20	50	44	10	45	9500	CRF226/50M20/3
60	2	56	M8	60	56	10	5	7000	CRF226/60M8/2
60	2	56	M10	60	56	10	5	7500	CRF226/60M10/2
60	2	56	M12	60	56	10	5	8000	CRF226/60M12/2
60	2	56	M14	60	56	10	5	8500	CRF226/60M14/2
60	2	56	M16	60	56	10	5	9000	CRF226/60M16/2
60	2	56	M20	60	56	10	5	9500	CRF226/60M20/2
60	3	54	M8	60	54	10	45	7000	CRF226/60M8/3
60	3	54	M10	60	54	10	45	7500	CRF226/60M10/3
60	3	54	M12	60	54	10	45	8000	CRF226/60M12/3
60	3	54	M14	60	54	10	45	8500	CRF226/60M14/3
60	3	54	M16	60	54	10	45	9000	CRF226/60M16/3
60	3	54	M20	60	54	10	45	9500	CRF226/60M20/3
80	3	74	M14	80	74	10	45	8500	CRF226/80M14
80	3	74	M16	80	74	10	45	9000	CRF226/80M16
80	3	74	M20	80	74	10	45	9500	CRF226/80M20

